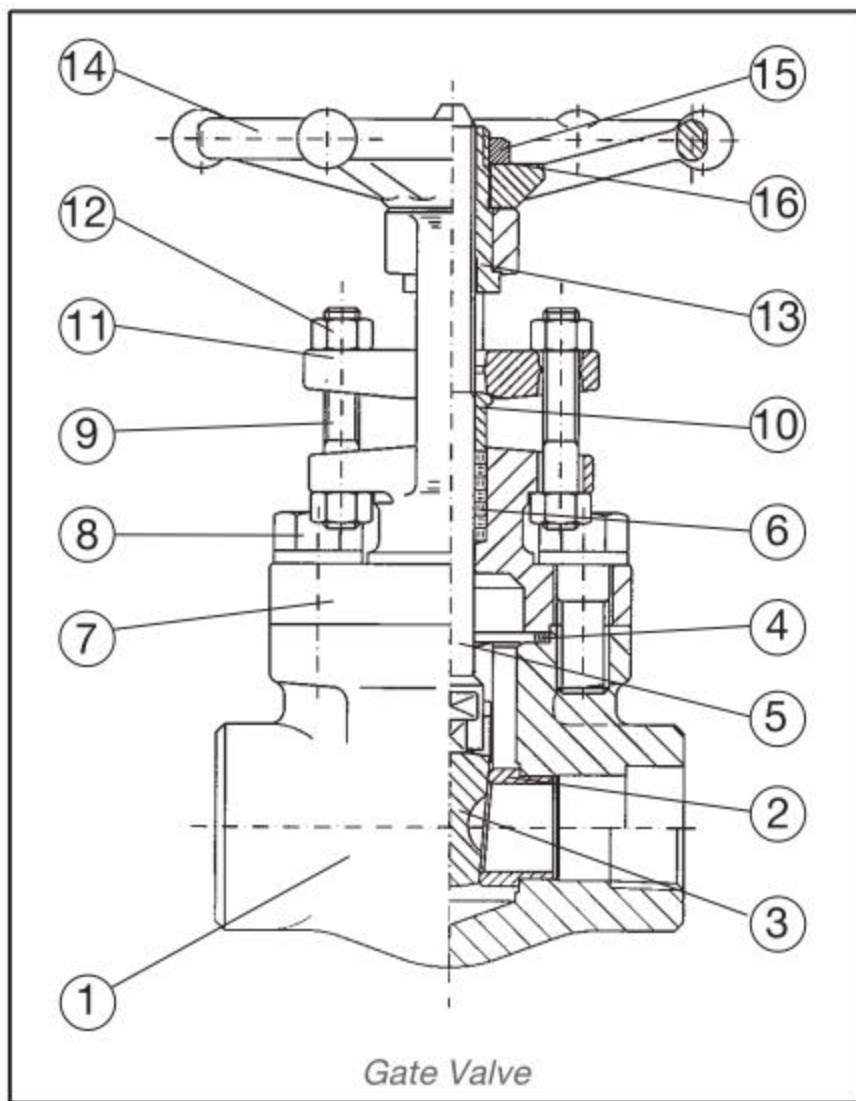


OSNOVNA KONSTRUKCIJA

EN standard

KOVANI ZASUNI / FORGED GATE



<i>Part No</i>	<i>Part Name</i>	<i>Standard Material</i>
1	Body	ASTM A105
2	Body Ring	ASTM A479 410
3	Wedge	ASTM A479 410
4	Gasket	SWG AISI 304 or 316 + Graphite
5	Stem	ASTM A479 410
6	Packing	Graphite
7	Bonnet	ASTM A105
8	B/B Bolt	ASTM A193 Gr. B7
9	Gland Bolt	ASTM A193 Gr. B8
10	Gland	AISI 316
11	Gland Flange	ASTM A105
12	Gland Bolt Nut	ASTM A194 Gr. 2H
13	Stem Bushing	AISI 420
14	Handwheel	Carbon Steel
15	Handwheel Nut	Steel
16	Name Plate	Aluminium